

NOTICE TO SHIPS BOUND FOR

SEPT-ILES

2021



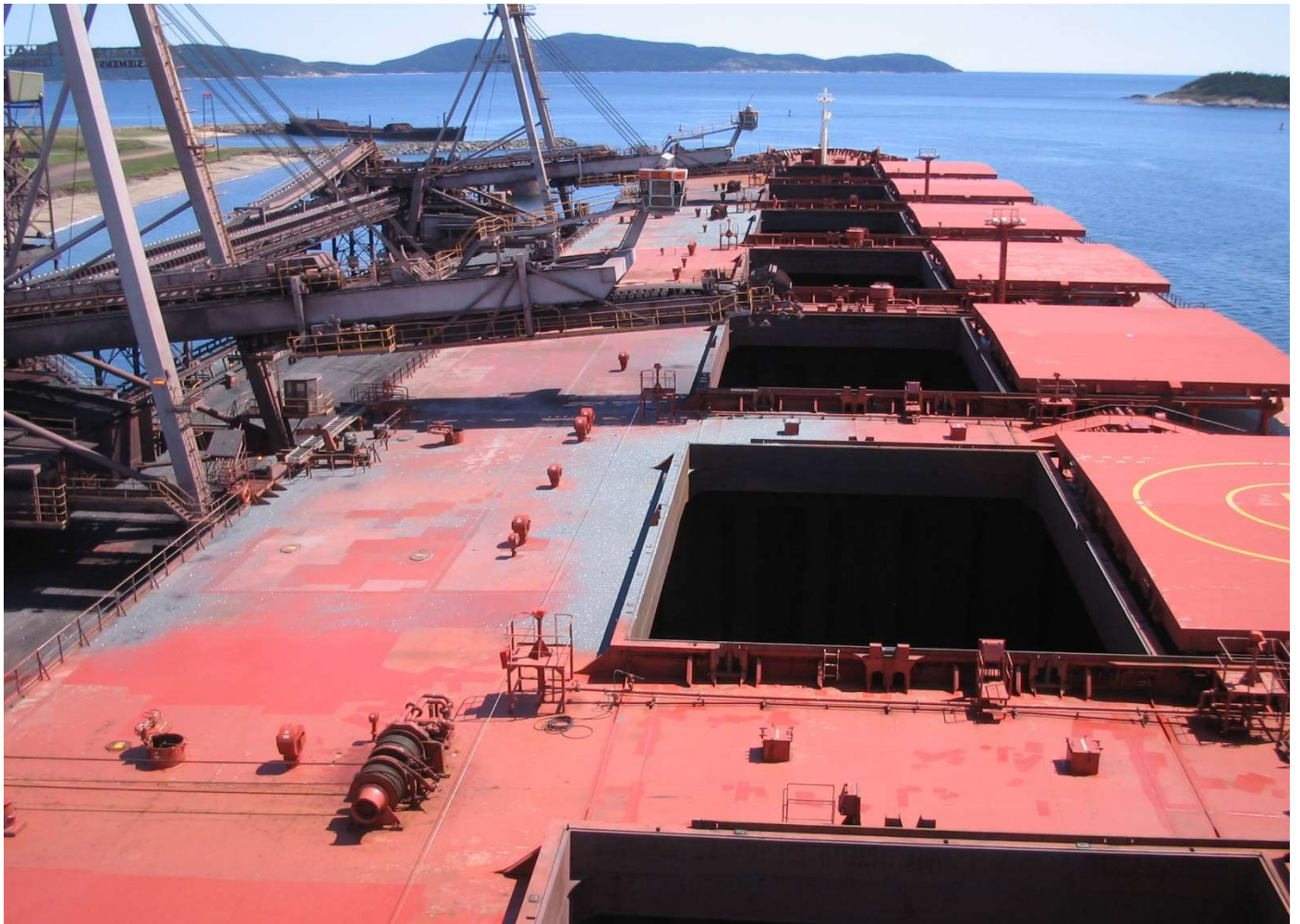
IRON ORE COMPANY OF CANADA

Marine services

Sept-Îles, Quebec, Canada

IRON ORE COMPANY OF CANADA SEPT-ILES

The information in this booklet is provided as a matter of general information only. Iron Ore Company of Canada ("I.O.C.") and/or its servants and employees shall be relieved of any liability whatsoever, direct or indirect, for injury, loss of life, damage or loss of property arising out of any marine agency services provided by I.O.C. and summarily described in this booklet.



NOTICE TO SHIPS BOUND FOR SEPT-ILES IRON ORE COMPANY OF CANADA

EFFECTIVE JANUARY 01, 2021

UNTIL FURTHER NOTICE

IRON ORE COMPANY OF CANADA, MARINE SERVICES

1, RETTY STREET, SEPT-ILES, QUEBEC, CANADA

G4R 3C7

TELEPHONE NO. +1-418-968-7540

FAX NO. +1-418-968-7113

E-MAIL ADDRESS: marineservices@ironore.ca

Revision of Notice to Ships

IRON ORE COMPANY OF CANADA reserves the right, at any time or from time to time, and without notice, to revise or supplement the present Notice to Ships.

INDEX

PART ONE

SECTION		PAGE
I	General Location	5
II	Local Time	5
III	Traffic Regulations	5
IV	Advising Arrival	5
V	Docking Instructions	5
VI	Working Hours	5
VII	Docking Pilot	6
VIII	Tug Service	6
IX	Supplies, Bunkers, Repairs, Etc.	6
X	General Instructions for the Handling of Iron Ore	7
XI	Dock Features	8
XII	Standard Practice of The Terminal	9
XIII	Pollution & Use of Scrubbers	9
XIV	North American Emission Control	9
XV	VTS Escoumins Traffic Station and Frequency	9
XVI	Weather, Ice Report and Notice to Shipping	9
XVII	Port Facility Security (ISPS)	10
XVIII	Quarantine	10
XIX	Authorized Discharge – Cargo Residues	10
XX	Port Expenditures	11
XXI	Customs and Immigration	12
XXII	Special Conditions For Laker Vessel	13
XXIII	Applicable Laws and Regulations	14
XXIV	Appendices	14

PART TWO

APPENDICES		PAGE
1	Aids To Navigation	15
2	IOC Terminal (Photo)	17
3	IOC Port Facility (Chart)	18
4	Layout of Dock No. 1	19
5	Layout of Dock No. 2 Loaders	20
6	Layout of Dock No. 2	21
7	Standard Towing Procedure	22
8	New Line Handling Signalization	23

I GENERAL LOCATION

The city of Sept-Iles is located on the Northeast side of the Baie des Sept-Iles, a sheltered circular basin screened to seaward by seven small islands, on the North shore of the St. Lawrence River in Latitude 50°12,8'N and Longitude 066°22.5'W

II LOCAL TIME

Sept-Iles maintains Eastern Standard Time (GMT-5) from the first Sunday in November until the second Sunday in March. Eastern daylight time (GMT-4) is maintained the balance of the year.

III TRAFFIC REGULATIONS FOR THE ST-LAWRENCE'S GULF AND RIVER

1. Eastern Canada Vessel Traffic Service Zone

The zone extends from outside of Belle Isle and Cabot Straits to 066°00'W.

In general, the regulations state that a ship crossing seaward boundary, either entering or leaving the zone, must report to ECAREG via any Canadian Coast Guard Radio Station. Clearance to move within the zone must be obtained from ECAREG and there are "Calling-in-points" where a ship has to report.

There are also additional reports to be made in case of any defects in machinery, navigational aids, accidents, stranding, pollution, etc.

2. The St. Lawrence Waterway Traffic Regulations:

The zone extends from 066°00'W to Montreal.

The regulations state that a ship must report to the marine traffic regulator by contacting Escoumins Traffic on VHF Channel 14 before entering Zone 1. (I.e. crossing 066°00'W). The port of Sept-Iles is in Zone 1.

Once within the harbour limits, Ships must maintain a continuous radio watch Channel 14, 12 and continuous radio watch VHF 12 when alongside.

Clearance must be obtained from Escoumins Traffic 15 min prior any ship movement within the harbour.

IV ADVISING ARRIVAL

1. E-mail address: marineservices@ironore.ca
2. Canadian Coast Guard station (VTS) Escoumins Traffic call sign "VCF", operates 24 hours.
3. Ships must report daily once underway for Sept-Iles.
4. Arrival notice must contain date and estimated time.
5. Ships sailing in ballast from any port west of Les Escoumins in example Montreal or Quebec must send ETA on departure with corrected ETA later if necessary.
6. Ships must advise probable ballast pumping time including stripping required at least 24 Hrs before arrival. If any change in ballast situation should occur after initial notice, same should be notified as soon as possible.
7. IOC. Marine Services office is equipped with VHF Radio set on Channel 12.
8. Use of Channel 12 is restricted to port operations only.

V DOCKING INSTRUCTIONS

1. Ships must notify IOC dock office 1 hour prior arrival Sept-Iles Pilot station via VHF Ch: 12 & request final berthing instructions.
2. IOC Marine Services is set up to receive radio communications via VHF Ch 12 on a 24 hour basis.
3. Ships should anchor within the triangulated area as shown on the marine charts. Ships may be requested to shift anchorage if their position interferes with normal docking approaches and / or transshipment area.
4. Ships arriving in ballast condition to load at dock no. 2 are required to arrive at the loading dock within the maximum requested air draft restriction to ensure safe handling procedures.
5. Ships should berth port side unless IOC Marine Services advise otherwise.

VI WORKING HOURS

Unless advised otherwise, IOC Marine Services' working schedule is as following:

1. Available at any time (24 Hours)
2. Available all year round (365 days)
3. No planned stoppage / closure for holidays

VII DOCKING PILOT

Except as provided otherwise in section XXII and XXIII:

1. The use of a docking pilot is compulsory for ships docking, shifting or sailing from IOC's docks.
2. When docking on arrival, docking pilot will board ship inside harbour limits in area of 50°10'N and 066°24'W. Ships normally proceed to anchorage without assistance, which can be provided however on request.
3. The docking pilot, when engaged in the operations or assisting a ship becomes the servant of the ship and the owner or master of the ship shall not be relieved from liability for any injury, damage or loss caused by or to the ship, any cargo, person and/or property, including that of IOC, whether same is on board the ship or not, whether as a result of the docking pilot's negligence or otherwise, on the grounds that any such injury, damage or loss was occasioned by the act or default of the docking pilot or on the grounds that such ship was being served by the docking pilot. In addition, the owners and master of the ship agree that the docking pilot and IOC shall incur no personal liability for any injury, damage or loss to person or property caused by said docking pilot, whether as a result of his negligence or otherwise.
4. The use of any docking pilot service shall constitute an acceptance of the terms and conditions as set forth herein regardless of, whether or not; written acceptance thereof has been given.
5. All ships shall provide midship starboard side pilot or combination ladder as appropriate for boarding / disembarking docking pilot on arrival / departure. Ladder should be set at 5m above water. Ladder must be well secured by adequate lashings to rail or deck.
6. All boarding equipment used for boarding or disembarking pilot must be well inspected, in good working condition and free of any obstruction, such as ice.

VIII TUG SERVICE

Except as provided otherwise in section XXII and XXIII:

1. Tug & pilotage service is compulsory at IOC docks. Tugs operate in accordance with the Standard Towing Conditions, as agreed between the Shipping Federation of Canada and the Eastern Canada Tug Owners Association. (See appendix p. 20).

For the application of the Standard Conditions, where IOC provides tug services directly or indirectly to a third party, the expression "TUG COMPANY" shall include IOC

2. Tugboat service as follow:
2 Tugboats are available at all times with 1 hour minimum notice. Tugs have an average power of 5000 HP and a bollard pull of 60 tons average.
3. All communication between tugs and pilots are performed by VHF on channel 18A for all manoeuvres within Sept-Iles harbour.
4. Ships will be provided with tug tow lines if required.

IX SUPPLIES, BUNKERS, REPAIRS, MEDICAL

1. No bunkering operation will be permitted on IOC grounds.
2. Minor repairs can be effected at Sept-Iles.
3. Fresh water can be supplied at the approximate rate of 10 tons per hour. Hose is available on the dock but ships' crew are required for connecting and disconnecting.
4. Please note that IOC Marine Services, as Loadport "Shippers" Agent, does not attend to Owners matters such as stores, CTM, medical, crew changes, etc.
Should you require any of these services and do not have an Agent, we may refer you to one upon request.
5. Launch service is available on request through I.O.C. Marine Services.
6. Seamen's Centre is located on Pointe-aux-Basques dock.
7. Medical service is available in Sept-Iles, however same must be arranged via an owner's agency or local agency.
8. Small parcel (Less than 2.5 Kg) can be handled by our agency; however, they must be sent on DDP basis (All fees for shipper account). All request for customs clearance will be refused. Vessel name (Not Captain) to be written on parcel.

X GENERAL INSTRUCTIONS FOR THE HANDLING OF IRON ORE AND THE PREPARATION OF HOLDS

1. Iron Ore Pellets:

- a. Iron Ore pellets has an average density of 2.162 MT / M3 and an average stowage factor of 0.463 M3 / MT.
- b. Before acceptance of a ship for loading, all cargo holds should be swept cleaned and no residue left inside. Ships which had alumina, bauxite, salt, calcium or urea, MUST be wash cleaned in order to be considered acceptable for loading.
- c. IOC reserves the right to require to have Holds wash cleaned prior berthing in order to avoid possible contamination (Whatever cargo holds may have previously contained).
- d. Holds cleanliness inspection will be done by an independent surveyor.
- e. Please note that if Surveyor finds Cargo Holds not acceptable due to possibility of contamination, then time loss will be for Vessel's account

2. Iron Ore Concentrate:

- a. Iron Ore concentrate has an average density of
- b. 2.74 MT / M³ and has an average stowage factor of 0.365 M³ / MT.
- c. Iron Ore Concentrate contains an average moisture content from 2.5% to 4.5%. The character of this ore is SELF DRAINING. It will retain moisture up to about 2.5%, but all moisture over and above that will drain on compaction of the material, also, if the ore is left for long periods in stockpile or in the hold of the ship, this drainage of moisture could generate water accumulation in the hold of the ship, and could cause some inconvenience when discharging the cargo. For this reason, all bilge Wells should be sounded regularly and pumped out at regular intervals, so as to minimise possible water accumulation between vessel's tank top & the cargo.
- d. Iron Ore Concentrate is abrasive, and could cause damage to bilge pumps. Master of ships should be aware that Federal Regulations require bilge wells to be covered with double layer of burlap, so as to permit a free flow of the water and retain the Iron Ore Concentrate in the hold of the ship.

3. Report to Port Warden:

It is the responsibility of the master to ensure that the ship is in a fit state to load and to proceed as required under the Canadian Regulations adopted pursuant to Canada Shipping Act, 2001; but the Shipper is required to ensure that the Master is aware of the requirements and that flagrant violations are brought to the attention of the Port Warden in order that corrective measures may be taken. Cargo loading should cease pending the arrival of the Port Warden.

4. Transport Canada - Port Warden

Certificate of readiness to load:

- a. Ships loading full or partial cargo of Iron Ore Concentrate must obtain a CERTIFICATE OF READINESS TO LOAD from Transport Canada prior loading. (Canada Shipping Act, 2001 - Cargo, Fumigation and Tackle Regulations)
- b. Cargo holds inspection will be usually done only during normal office opening hours and daylight time. Cargo holds Inspection will be performed outside of office hours and / or night time only if necessary and subject to inspector availability
- c. In order to accelerate inspection procedure, ships intending to load Iron Ore Concentrate must have on hand for Port Warden's visit:
 - Ship's certificates & Documents of Compliance
 - Approved loading manual & approval of the loading computer and software
 - Stowage plan and Loading sequences
 - Shear stresses and bending moments
 - Print out of expected departure conditions
 - Report of the last port state control inspection
 - IMSBC Code
- d. Holds to be ready for inspection, bilges to be cleaned and bilges strainer plates to be covered with at least a double layer of burlap or approved equivalent arrangement in order to be concentrate tight but not water tight.
- e. Weights on double bottoms, shear stresses and bending moments to be within permissible limits.
- f. Ships are responsible to obtain said certificate alongside or at anchorage. The ship which fails to obtain a "CERTIFICATE OF READINESS TO LOAD" shall not be loaded. Time required to obtain certificate shall be on ship's account.

5. Transport Canada - Port Warden

Certificate of Fitness to Proceed:

Ships loaded with a full or partial cargo of Iron Ore Concentrates must obtain a CERTIFICATE OF FITNESS TO PROCEED from Transport Canada prior departure. (Canada Shipping Act, 2001 - Cargo, Fumigation and Tackle Regulations)

XI DOCK FEATURES

1. No. 1 DOCK (Unloading or Waiting Berth):

670m dock divided into three berths. Those berth are identified on the marine charts respectively as #4, #5 and #7. The southeast (#4; Mooring or waiting berth) is 244m in length and is fendered with large truck tires mounted over the dock face. The adjoining (#5; Unloading or waiting berth) is 244m and also fendered with large truck tires. The third and last section (#7; A government berth exploited by port authority and presently closed), is 183m in length and used for general cargo. Dredged depth at mean low water is 11.1m at berth #4 and 10.1m at berth #5. Designed depth at the government berth is 7.31m.

a) No. 1 - Unloading dock (Berth #5):

The dock is fitted with a hopper for self-unloading Vessel

Unloading capacity:

- Bentonite: 200 MT/Hour
- Coal 200: MT/Hour

VSL restrictions:

- Max Loa: 225.5m
- Max beam: 30m
- Max draft: 9.5m
- Max air draft for Geared Vessel: 16.0m

If a VSL is exceeding these restrictions, VSL is subject to receiver approval and all the cost involved due the VSL exceeding restrictions will be for charterers or owner account.

VSL have to be fitted with cranes in good order to be able to lift the loader (12 tons) in and out from the ship holds for trimming purposes and also subject to receiver approval.

2. No. 2 DOCK (Loading Berth):

Deepwater berth is located some 274m southeast of original dock and extends approximately 70m further into Bay. This single berth is an open cell construction with 9 parallel cribs, inset from dock face and dolphin. Both structures are fitted with mooring winches and bollards, and located approximately 46m and 107m respectively from NW corner of the dock face. Two additional dolphins, also fitted with mooring winches and bollards, are situated in a line approximately 46m inside the dock face and approximately 30m and

122m from SE corner of dock. Dolphins are joined to main dock structure by catwalks. Total effective mooring length is approx. 488m. Cribs are fendered to waterline with double sets of extra-large truck tires. Dredged depth is approximately 18.00m at mean low water. Dock is fitted with two travelling shuttle boom loaders with 233m of available travel, and a maximum design capacity of 7500 MTPH per loader.

Dock No. 2 is fitted with bollards spaced at 30m centres.

VSL restrictions:

- Max LOA: 330m.
- Max beam: 54m.
- Max air draft to top of hatch cover: 17.60m,
- Max recommended sailing draft: 17,50m + tide.

XII STANDARD PRACTICE OF THE TERMINAL

Except as provided otherwise in section XXII and XXIII:

1. Ships will be loaded in regular turn of arrival, subject to cargo availability and providing they arrived with 2 holds to commence loading readily open upon berthing. The loading time should be calculated at the average rate of 10,000 mt per hour with two shiploaders & 5,000 mt per hour with 1 shiploader at dock No. 2.
2. Final Loading plans should be emailed to the terminal prior berthing for final validation.
3. ORE-OIL (OBO) carriers having discharged petroleum products at last port must advise this in first ETA. If gas-free certificate has not been already granted by independent chemist, arrangements will be made to have chemist attending. The arrangement for such service implies no liability whatsoever on the part of IOC Marine Services and all expenses to be for ship's account.
4. Ships will have 1 hour to sail from the dock upon completion of loading / unloading operations, if more time is require to secure for sea, same could be perform from the harbour. If any delays occur on documentation, crew members missing, etc., ship will leave the dock and all matters will be handled from the anchorage.
5. Any ship which fails or refuses to vacate the berth when required by IOC Terminal shall be assessed, in addition to any other charges due hereunder, an automatic charge of \$1,600 per hour or any part thereof after vacating notice has been given in writing to the owner, manager, agent, master, mate, operator or charterer of the ship. This charge shall be paid promptly and it is accepted that it accurately represents a minimum estimate of damages to IOC because of refusal or failure of the ship to vacate. This payment shall not constitute a waiver on the part of IOC to claim greater actual damages that may be sustained as a result of the ship's failure to vacate
6. Ship's gangway should be kept at same level as shore installation.

Watchman should be aware of loading / unloading, deballasting / ballasting and stage of tide in order to maintain same level.

If the shore gangway is damaged or lost due to none compliance of the above, the repair or recovery cost will be charged on vessel's account.

Should shore personnel have to go on board and gangway is not secure, loading will stop immediately and delay will be held against the ship.

XIII POLLUTION & USE OF SCRUBBERS

The discharge of oil, chemicals and garbage into Canadian water is prohibited by strictly enforced regulations which provide for heavy penalties on summary conviction. The regulations require that any pollution be reported immediately to the nearest Transport Canada inspection office, or to the nearest VTS station.

As per Port of Sept-Îles regulations, the use of 'Open Loop Scrubbers' is strictly prohibited within the Port Limits. This restriction does not apply to 'Closed Loop Scrubbers'

XIV NORTH AMERICAN EMISSION CONTROL

Transport Canada advises all vessels inbound for east coast Canadian ports, that they are required to use fuel that has a sulphur content not exceeding 0.1%, (effective January 1st, 2015) when within the North American emission area (na-eca)

Vessels when voyaging in accordance with their voyage plan, that have not been able to obtain compliant fuel meeting the standards of the na-eca, are required to notify the minister of transport before entering Canada's na-eca.

XV ESCOUMINS TRAFFIC STATION MCTS

(VTS) CALL SIGN "VCF" (418) 233-2194

VHF	<u>Calling Frequency</u>	156.8 MHz CH.16
		156.7 MHz CH.14
VHF	<u>Working Frequency</u>	
	Transmitting	161.9 MHz CH.26
	Receiving	157.3 MHz CH.26
		156.3 MHz CH.06

XVI WEATHER, ICE REPORTS, AND NOTICE TO SHIPPING

A continuous marine broadcast service is available on VHF CH 21B. Recorded information is updated continuously 24 hours per day.

XVII PORT FACILITY SECURITY (ISPS)

For the purpose of ISPS any visitors or supplier must contact & notify IOC Marine Services in writing beforehand providing reason of visit, name of visitor, date & time expected for same.

Shore gangway will be rigged & attached to ship's gangway in an L configuration at no expense to the vessel. This gangway is to be protected by the vessel at all times. If a situation exists or becomes evident compromising the safety or integrity of same, the vessel must inform IOC dock office to have the gangway removed or rigged in a different configuration immediately. Failure to notify the terminal and/or agent accordingly, will result in the vessel/Owner being liable to all damages incurred. Vessel must rig a safety net under the gangway. Such net shall be installed as to catch anyone that might fall off while embarking or disembarking the vessel.

There must be a passage on ship's decks free of hazards, so as to permit Terminal representative & port officials to carry their duties safely.

During the cold weather season, all accesses, including hatch covers, must be kept free of ice.

Any failure to comply with the above rules may cause the shore personnel to refuse to board, and the cost of any delay incurred, while the ship's crew rectifies the situation, will be charged against the vessel.

The Company's policy regarding security of its privately owned dock area in regard to crew member going ashore is as follow: In order to avoid the access of unauthorized persons to the area or on board vessels, all crew member going ashore must request a taxi via IOC dock office VHF ch 12 or use the seamen centre shuttle service as per their regular schedule & report to the security gate for the purpose of identity going out & on their return.

Access to the wharf is strictly forbidden to private vehicles driving sailors back to their ship. The only vehicles authorized to drive to the wharf are taxis, the seamen centre shuttle, or any other rental vehicle having been authorized by the terminal.

XVIII QUARANTINE

1. Ships calling Canadian ports are no longer required to follow Radio Pratique, Free Pratique is now granted once vessel clears with ECAREG unless

- There is a condition of health irregularity aboard or,
- If the ship has called at an infected port during this same voyage.

2. Only ships to which any of the above conditions apply, should send report to IOC marine services giving details regarding health conditions aboard, so appropriate action can be taken immediately

XIX AUTHORIZED DISCHARGE - CARGO RESIDUES

1. (f) for a ship in the St. Lawrence River west of Les Escoumins, the cargo residues are not cargo sweepings and the ship is en route;

(g) for a ship in the inland Waters of Canada in the St. Lawrence River east of Les Escoumins, the ship is en route and the cargo residues are discharged from it at a distance of more than 6 nautical miles from shore; and

(h) For a ship in the St. Lawrence River or Gulf of St. Lawrence that is not in the inland waters of Canada, the ship is en route and the cargo residues are discharged from it at a distance of more than 12 nautical miles from shore.

2. For the purposes of paragraphs (1) (f) to (h), the authorized discharge of cargo residues is restricted to alumina, bauxite, bentonite, cement, chrome ore, clay, dolomite, ferromanganese, gypsum, ilmenite, iron ore, iron ore concentrate, lead ore concentrate, limestone, manganese ore, manganese concentrate, nepheline syenite, perlite, quartz, salt, sand, talc, urea, vermiculite and zinc ore concentrate.

3. For the purposes of this section, the master of the ship shall ensure that no discharge of cargo residues is made if, through visual observation, a marine mammal is within 0.5 nautical miles of the ship.

All discharges into harbours and ports are prohibited.

There will be a maximum of eight chargeable transits per ship per ice season commencing December 21st and ending April 15th. This seasonal cap is not transferable between ships. Additionally, there will be a maximum of three chargeable transits per 30 day period. This seasonal cap is not transferable between ships.

Ice Breaking Service Fees - Discounts:

There is a discount for superior ice strengthening. It is defined as matching the requirements for Canada vessel type A, B, C, D or Artic Class (or internationally recognized equivalents) see below scale.

Common International Ice Strengthening Equivalents

Discount	Canada	Lloyd's Register	Baltic (Det Norske Veritas)	Germanischer Lloyd
35%	Type A	1* 1-A Super	A* 1-A*	E-4
35%	Type B	1 1-A	A 1-A	E-3
25%	Type C	2 1-B	B 1-B	E-2
15%	Type D	3 1-C	C 1-C	E-1

XX PORT EXPENDITURES

1. The below port fees will apply to all ships, as per their SDWT, loading ore at I.O.C.'s docks at Sept-Iles.

Port fees include agency, tugs (two (2) tugboats for berthing and one (1) for sailing), docking pilot expense, linesmen, customs expense, sundries, etc.

**SCALE OF PORT FEES FOR VESSEL AT DOCK #2
(SUNDRIES NOT INCLUDED)**

	<u>DEADWEIGHT</u>	<u>FEES 2021</u>
LAKERS	Up To 36,000	\$ 10,736
	36,001 40,000	\$ 14,392
OCEANS	Up to 10,000	\$ 21,466
	10,001 20,000	\$ 27,047
	20,001 30,000	\$ 34,079
	30,001 36,000	\$ 42,856
	36,001 40,000	\$ 42,856
	40,001 50,000	\$ 51,623
	50,001 60,000	\$ 60,167
	60,001 70,000	\$ 68,459
	70,001 80,000	\$ 74,854
	80,001 90,000	\$ 81,207
	90,001 100,000	\$ 87,568
	100,001 110,000	\$ 93,629
	110,001 120,000	\$ 99,375
	120,001 130,000	\$ 105,328
	130,001 140,000	\$ 111,198
	140,001 150,000	\$ 117,151
	150,001 160,000	\$ 123,005
	160,001 170,000	\$ 129,066
	170,001 180,000	\$ 134,927
	180,001 190,000	\$ 139,890
190,001 200,000	\$ 144,845	
200,001 210,000	\$ 147,433	
210,001 220,000	\$ 141,981	
220,001 230,000	\$ 144,818	
230,001 240,000	\$ 148,640	
240,001 250,000	\$ 151,988	
250,001 260,000	\$ 156,548	
260,001 270,000	\$ 161,244	

1. Government / Crown Fees:

- a) Coast Guard Marine Navigation Service Fees: \$0.158 per metric tons of cargo (Max \$7,900.00)
- b) Agriculture Manifest Assessment: \$40.88 (Vessel arriving from sea only)
- c) Coast Guard ice breaking service fees: Basic rate: \$3,231.56 per transit

- 2. ISPS fee will be charged to any vessel calling our port facility on a basis of 56\$ per hour once alongside. This ISPS fee is to cover for the high cost of maintaining the required level of ISPS.
- 3. The Port of Sept-Iles operates under the authority of Canada Ports Corporation and the dues are (\$0.0802) per GRT for all Canadian ships' entry and (\$0.0922) per GRT for all other ships per entry.
- 4. Tug service provided in port fees does not include services of salvage nature.
- 5. All ship's Owners or Principal's will be required to transfer 100% of funds to IOC in advance, prior to vessel's berthing to cover port cost, as per above scale of fees
- 6. Interest of 1.5% per month or 18% per annum may be charged on overdue accounts for supplementary disbursements or failure to remit advance funds.
- 7. Please note that IOC Marine Services, as Loadport "Shippers" Agent, does not attend to Owners matters such as stores, CTM, medical, crew changes, etc.

Should you require any of these services and do not have an Agent, we may refer you to one upon request.

8. Fresh Water is available & will be charged as follow:
Alongside: \$175.00 service charge + \$10.00 per M/T
9. One (1) Extra Tug(s) may be requested by Pilot / IOC for vessel safety, berth safety or weather reason (I.E Strong Winds, High swell or Dense Fog).

All vessels sailing with foreign flag and SDWT greater than 36,000 MT will be sailed from IOC docks #1 and #2 using two (2) tugboats.

While Port Fees include two (2) tugboats for berthing and one (1) for sailing, extra tug fees have been issued in order to increase the safety level at our installations and eliminate unnecessary risk for all stakeholders.

Extra cost incurred for the second tugboat at sailing will be based off vessel's SDWT as follows:

SCALE OF EXTRA TUG SERVICES FEES

LAKERS	DEADWEIGHT		FEES 2021
	Up To	40,000	\$ 3,587
OCEANS	Up to	10,000	\$ 3,587
	10,001	20,000	\$ 3,800
	20,001	30,000	\$ 4,025
	30,001	40,000	\$ 4,265
	40,001	50,000	\$ 4,517
	50,001	60,000	\$ 4,786
	60,001	70,000	\$ 5,070
	70,001	80,000	\$ 5,371
	80,001	90,000	\$ 5,690
	90,001	100,000	\$ 6,028
	100,001	110,000	\$ 6,386
	110,001	120,000	\$ 6,764
	120,001	130,000	\$ 7,166
	130,001	140,000	\$ 7,592
	140,001	150,000	\$ 8,043
	150,001	160,000	\$ 8,520
	160,001	170,000	\$ 9,026
170,001	180,000	\$ 9,562	
180,001	190,000	\$ 10,129	
190,001	200,000	\$ 10,731	
200,001	210,000	\$ 11,368	
210,001	220,000	\$ 12,042	
220,001	230,000	\$ 12,757	
230,001	240,000	\$ 13,515	
240,001	250,000	\$ 14,318	
250,001	260,000	\$ 15,163	
260,001	270,000	\$ 16,058	

XXI CUSTOMS AND IMMIGRATION

1. Ships arriving from a foreign port may be boarded by customs and immigration officers. SHIP'S PERSONNEL ARE NOT ALLOWED ASHORE UNTIL PERMISSION IS GRANTED FROM ABOVE OFFICERS OR AGENCY.
2. Customs requires 96 hours prior vessel arrival, crew list and vessel pre-arrival notification. Please send us by Email: marineservices@ironore.ca or by fax: (418) 968-7113
3. The following inward papers are to be completed prior to arrival and presented to custom officer on boarding:

Immigration	IMM-200	Crew List
Customs	A-6	Report Inward
Customs	Y-14	Crew Declaration
Customs	E-1	Ship's Stores
		Last Port Clearance

4. Designation and dates of expiry of ship certificates is required for all custom declaration: IOPP, Load Line, International Tonnage, Safety Equipment, Safety Radio, Safety Construction and Sanitation.
5. Arrangements have been made so that loading can commence before customs entry has been completed, and customs outward papers will be completed so as not to interfere with immediate departure after completion of loading.
6. By Canadian Customs regulation, each crewmember is allowed to retain in his possession for his personal consumption. For tobacco product: 200 cigarettes; and 50 cigars; and 200 gram of manufactured tobacco; and 200 tobacco sticks. For alcohol product: 1.5 L. of wine; or 1.14 L. of hard liquor; or 8.5 L. of beer. All quantities must be declared on Crew Declaration form Y-14 along with all personal effects such as radios, cameras, laptop computer, binoculars etc., including serial numbers of each such item.
7. Concerning Importation / Exportation of Cannabis:

If you are entering Canada from another country, remember: if you have cannabis with you in any form, you must declare it to the Canada Border Services Agency. Not declaring cannabis in your possession at the Canadian border could also lead to arrest and prosecution.

If you are leaving Canada, remember: you may not take cannabis out of the country either. You may be subject to criminal charges if you attempt to travel to other countries with any amount of cannabis in your possession.

XXII SPECIAL CONDITIONS FOR LAKER VESSELS

Notwithstanding sections VII and VIII hereof, a tug is compulsory for laker vessels. However, ships shall comply with the following conditions:

1. Ships will be loaded in regular turn of ships' arrival at Sept-Iles if they present with starting hatches open and do not have ballast pumping time which will exceed the average. The loading rate will be from 4,500 to 9,000 metric tons per hour. A ship which has berthed at the loading dock and is unable to receive cargo or is found to have a deballasting rate / time, which in the opinion of IOC Terminal, will not permit loading at maximum rate, may be ordered off the dock and moved to anchorage until it is in a condition to accept loading at maximum speed.

In such a case the ship will then be returned to the ore loading berth in turn, following resubmission of Notice of Readiness. All moves, delays and expenditures to be at ship's expense. IOC dock terminal management shall be the final arbitrator in case of a dispute.

2. The ship will be solely responsible for injury, damage or loss occasioned by her to any person and/or property, including that of IOC, during the docking, shifting and/or undocking operations. Such responsibility shall include, without restricting the generality of the foregoing, the loss of profits incurred by IOC for being deprived in whole or in part of the use of the docking facilities in Sept-Iles whether by reason of physical damage to the wharf or the blocking of the access to the facilities or otherwise.
3. The ship shall provide IOC with a comprehensive general liability insurance, or the equivalent thereof, for body injury and/or death or damage to property, including wreck removal, for a limit of not less than \$5,000,000 per occurrence, written on an inclusive basis. A certificate of the policy evidencing such insurance shall be delivered to IOC, at least thirty (30) days prior to the use of docking facilities. The policy shall be effected in a form and with insurer satisfactory to IOC. The policy shall name Iron Ore Company of Canada as an additional insured, as its interest may appear.
4. IOC, its agents, employees and/or subcontractors shall not be responsible for any damage, injury or loss of any nature whatsoever, caused (including negligence) in connection with the docking, shifting and/or undocking operations provided, however, that the above condition should not apply to damage, injury or loss to IOC's property or to damages for personal injury to or loss of life of employees of IOC and/or its agents, and/or subcontractor unless such loss or damage or injury or loss of life shall have been caused or contributed

by the fault or negligence of the ship, ship owner, its agents or employees.

5. For all Lakers with SDWT less than 36,000 MT, tugboat assistance for berthing is compulsory, shifting or sailing without the assistance of tugs and pilot shall be made at the sole risk and responsibility of the ship. The ship shall indemnify and exclude IOC for all claims, actions or demands whatsoever for damage, injury or loss of any nature arising in connection with any act or omission of negligence of ship, her agents or employees and of IOC, its agents and/or employees and/or subcontractors during berthing, shifting and/or sailing operations, provided that the above conditions shall not apply to loss of or damage to IOC's property or for personal injury or loss of life of employees of IOC and/or its agents and/or subcontractors, unless such loss or damage or injury or loss of life has been caused by the sole fault or negligence of IOC, its agents, employees or subcontractors.
6. Any ship which fails or refuses to vacate the berth when required by IOC Terminal shall be assessed, in addition to any other charges due hereunder, an automatic charge of \$1,600 per hour or any part thereof after vacating notice has been given in writing to the owner, manager, agent, master, mate, operator or charterer of the ship. This charge shall be paid promptly and it is accepted that it accurately represents a minimum estimate of damages to I.O.C. because of refusal or failure of the ship to vacate. This payment shall not constitute a waiver on the part of I.O.C. to claim greater actual damages that may be sustained as a result of the ship's failure to vacate.
7. IOC Terminal, through the agency (IOC Marine Services), shall have the right, authority and privilege to compel the removal of the ship, by any lawful means, at the ship's own risk and expense and shall not be liable for any damages, delay or other expenses, including legal costs, arising from the act of removal of the ship, by whosoever incurred.
8. A standby charge of \$1,600 per hour will be assessed against any ship causing delay of ore loading alongside berth when such delay is caused by the ship not complying with Port regulations and requirements.
9. Notwithstanding the above, IOC shall have the right to refuse, at its sole discretion, to which the ship hereby agrees to submit, and for any reasons whatsoever, the docking, shifting and/or undocking of a Laker vessel without the assistance of tugs and pilots.
10. All other terms and conditions as per the general rules and conditions of the present Notice to Ship.

XXIII APPLICABLE LAWS AND REGULATIONS

Masters of ships should acquaint themselves with all applicable laws and regulations in force in Canada. Furthermore vessel should keep readily available onboard copy of all applicable regulation in example ISMBC code, SOLAS, Notice to Mariners, applicable paper marine chart's unless vessel equipped with approved precision navigation system.

The present document contains information in addition to the "Practice and Procedures" published by the Sept-Iles Port Authority. These procedures are to be followed by all vessels entering, berthed, departing manoeuvring, or at anchor in the waters of the Port of Sept-Iles.

XXIV APPENDICES

It should be noted however that I.O.C. Marine Services does not guarantee the accuracy of the information provided in the said appendices. These appendices are for the sole purpose of informing the reader and do not reflect necessarily the current status of the regulation or practice referred to therein and do not replace any aids to navigation, notice to shipping or charts that the ship is bound to carry as per the applicable laws and regulations. It is the master's duty and sole responsibility to ensure that he has availability to review an updated version of the information provided in the appendices.

APPENDICES

1. Aids To Navigation (As Listed in Canadian Government Publication)

Name	Latitude North	Longitude West	Light Characteristic
Ile du Corossol	50°05'20.2"	066°22'36.9"	On Island Fl W. 2.5s. 12M
Iles Grande Basque	50°09'10.4"	066°22'38.6"	On W. Extremity of Island Fl W. 6.0s. 7M
Pointe au Corbeau	50°09'03.0"	066°25'29.3"	On Point Fl G. 6.0s. 6M
Pointe à la Marmite - Light Buoy D11	50°10'17.2"	066°25'45.9"	North of Point Fl G. 4.0s.
Basque Est - Light Buoy BASQE	50°10'55.3"	066°21'43.7"	Fl (2+1) G. 6.0s.
Pointe aux Basques - Light Buoy D4	50°11'02.4"	066°21'50.3"	Fl R. 4.0s.
Récif du Basque - North Light Buoy D7	50°11'00.7"	066°22'15.2"	Fl G. 4.0s.
Récif du Basque - Light and Bell Buoy D6	50°10'52.2"	066°21'57.9"	Off West Limit of Reef Fl R. 4.0s.
Basque Ouest - Light Buoy BASQO	50°10'47.9"	066°22'36.3"	Fl (2+1) R. 6.0s.
Iron Ore Company of Canada (Privately Maintained) - Dock #2 Range Lights	50°11'20.3"	066°22'14.8"	On a Hangar on Dock #2 Iso Y. 2.0s.
	122°44'	495.8 m From Front	North of Pointe aux Basques Iso Y. 2.0s.
- Dock #1 Range Lights	50°11'41.8"	066°22'35.3"	Iso G. 2.0s.
	098°29'	280.2 m From Front	Iso G. 2.0s.
Sept-Iles Oil Tanker Dock	50°11'47.4"	066°22'55.4"	On Dolphin. Flash alternately Iso W. 6.0s. 9M Iso R. 2.0s. Iso R. 2.0s.
Terminal des Croisières	50°11'50.6"	066°23'03.9"	West End of Dolphin Iso R. 2.0s. 2M
Terminal des Croisières	50°11'50.6"	066°22'48.7"	East End of Duc d'Albe, sec. 12 Iso W. 2.0s.
Havre de Pêche Sept-Iles	50°11'56.1"	066°23'00.4"	On end of Breakwater Iso G. 2.0s. 3M
Marina Sept-Iles Entrance	50°12'04.6"	066°23'10.1"	On end of Breakwater Iso Bu. 2.0s.
Marina Sept-Iles West Breakwater	50°12'11.7"	066°23'17.4"	Fixed W.

N.B. All Aids to Navigation are Subject to Change

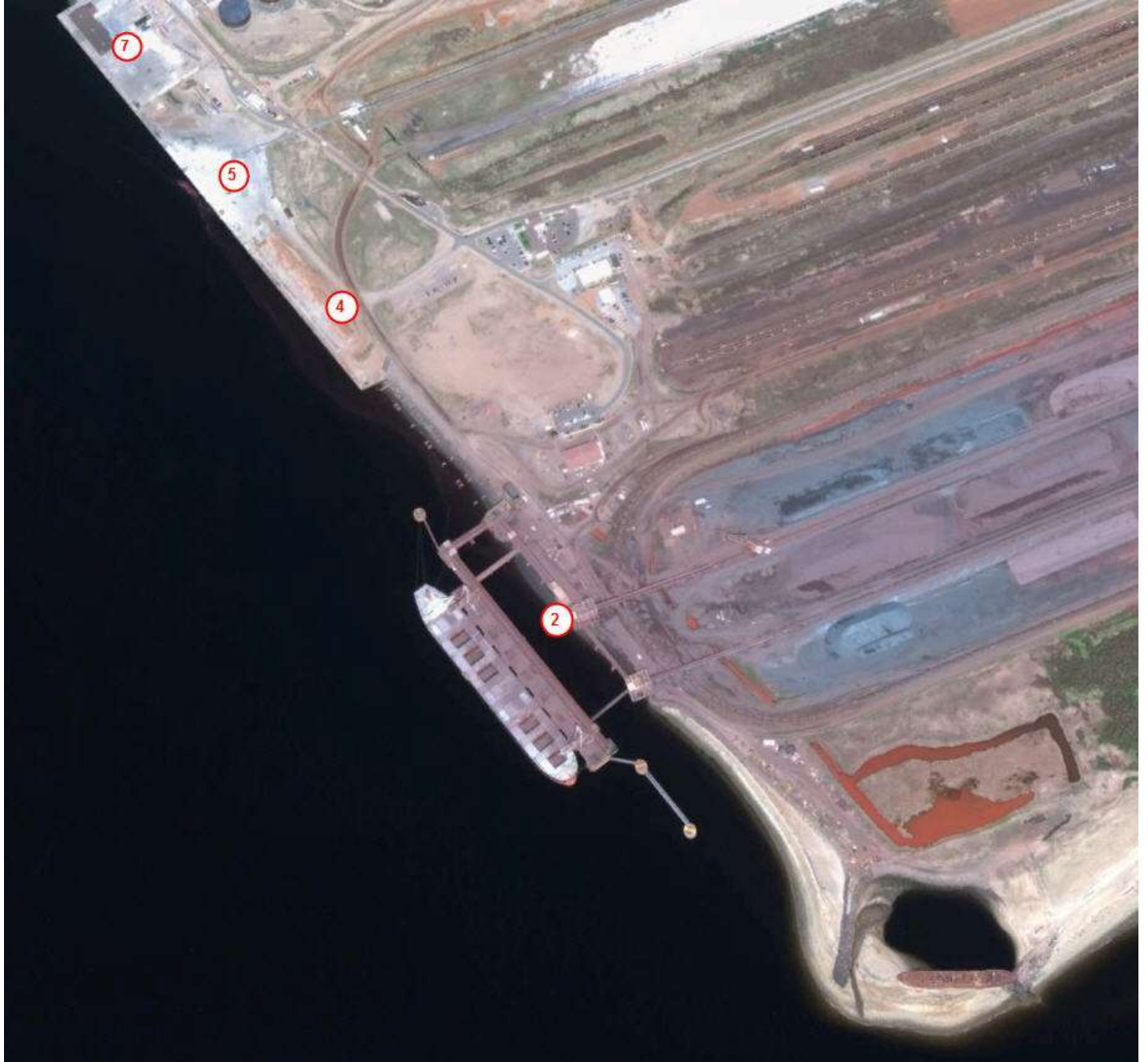
APPENDICES

1. Aids To Navigation (As Listed in Canadian Government Publication)

Name	Latitude North	Longitude West	Light Characteristic
Sept-Iles Wharf	50°12'21.6"	066°23'32.7"	On Wharf Extension Iso G. 2.0s. 6M
Pointe Noire - Light Buoy D15	50°09'47.2"	066°27'23.0"	Q G. 1.0s
Pointe Noire Wharf Range	50°09'55.3" 179°59'	066°28'55.55" 173.3m From Front	Iso Y. 2.0s. Iso Y. 2.0s.
Pointe Noire Ore Terminal West	50°09'55.4"	066°29'10.1"	West End of Pointe Noire Wharf Fl R. 4.0s. 6M
Pointe Noire, Anse-du-Portage Ste-Marguerite. Sector Light	50°09'47.1"	066°29'12.3"	Fixed R. Al W. RW G. Al GW
La Relance Railway Ferry Wharf	50°09'39.1"	066°27'37.4"	NE End of Dolphin Iso Bu. 2.0s.
La Relance Wharf Range	50°09'33.9" 192°42'	066°27'37.4" 272m Front Front	Iso R. 2.0s. Iso R. 2.0s.
Sept-Iles, Multi-User Wharf	50°10'05.9"	066°28'15.7"	Section 35. West End Iso R. 1.0s.
Sept-Iles, Multi-User Wharf	50°10'01.5"	066°27'56.4"	Section 35. East End Iso G. 1.0s.
Pointe Noire Ore Terminal West - Light Buoy D20	50°10'06.2"	066°29'27.9"	NW of Wharf Fl R. 4.0s.
West Rocks (Ilets Dequen)	50°07'16.3"	066°25'58.1"	At West Rocks Fl R. 6.0s. 6M
Pointe à la Chasse	50°01'05.4"	066°27'07.9"	On Point Fl W. 6.0s. 8M

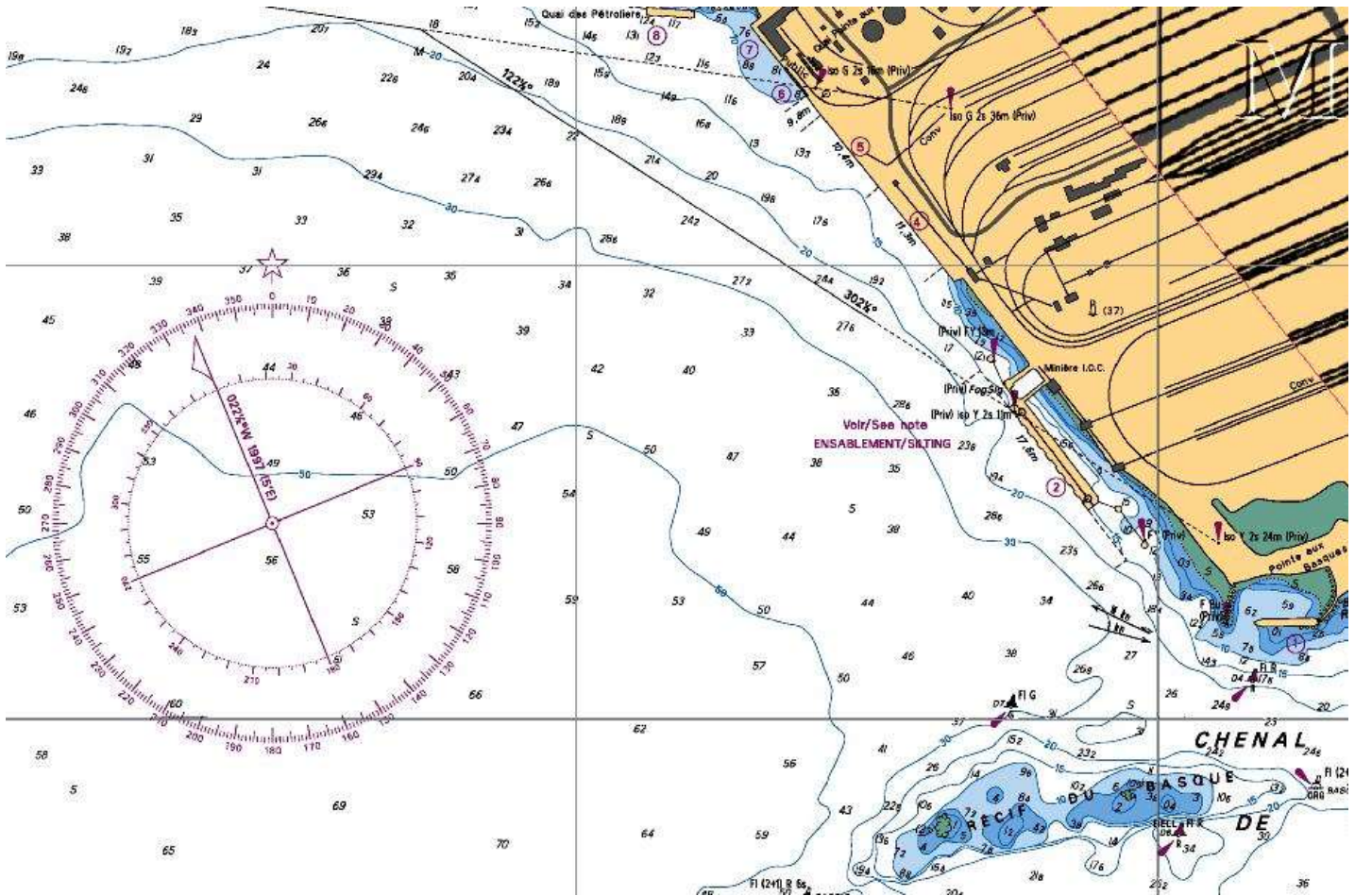
N.B. All Aids to Navigation are Subject to Change

IOC TERMINAL

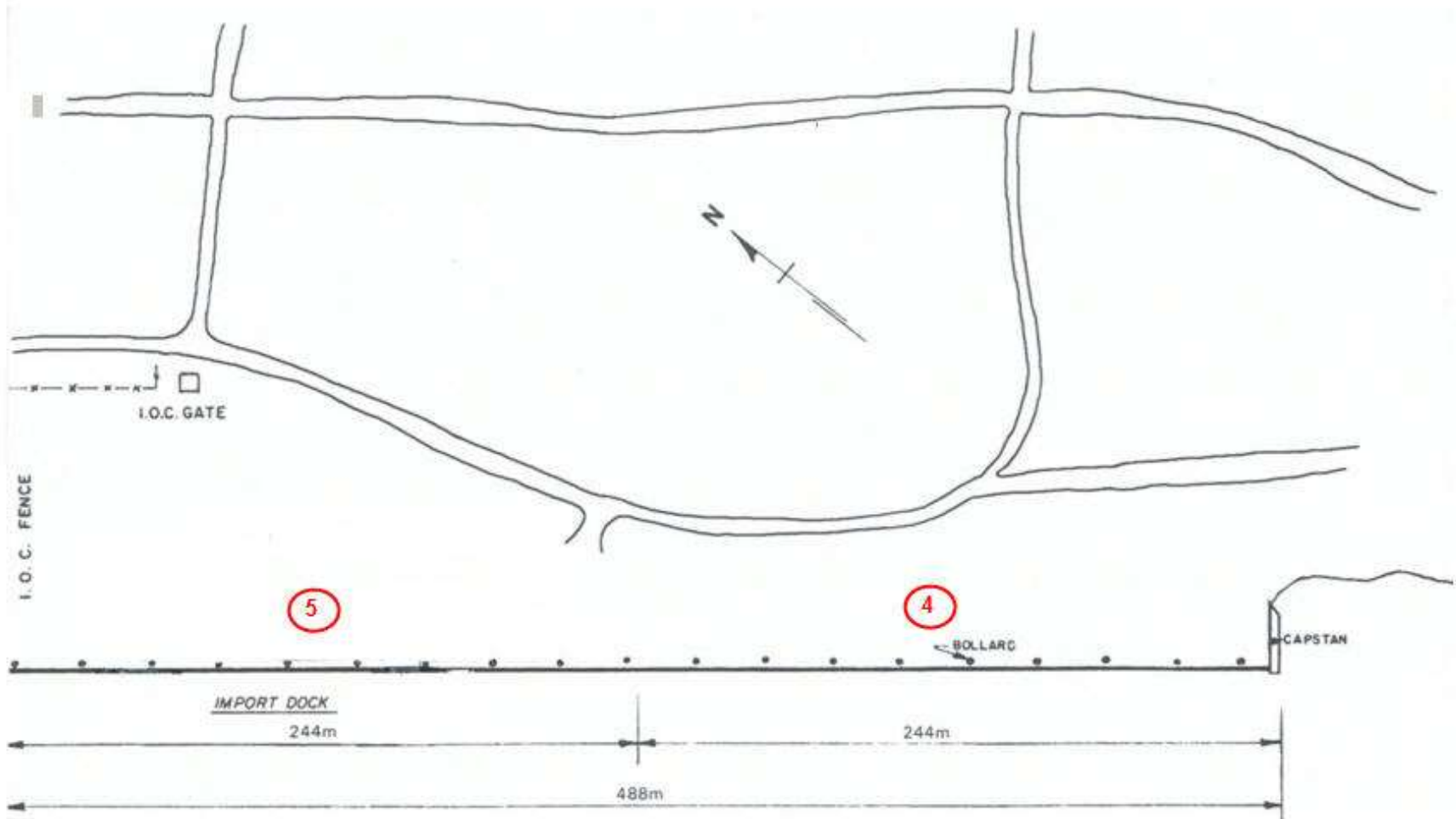


IOC PORT FACILITY

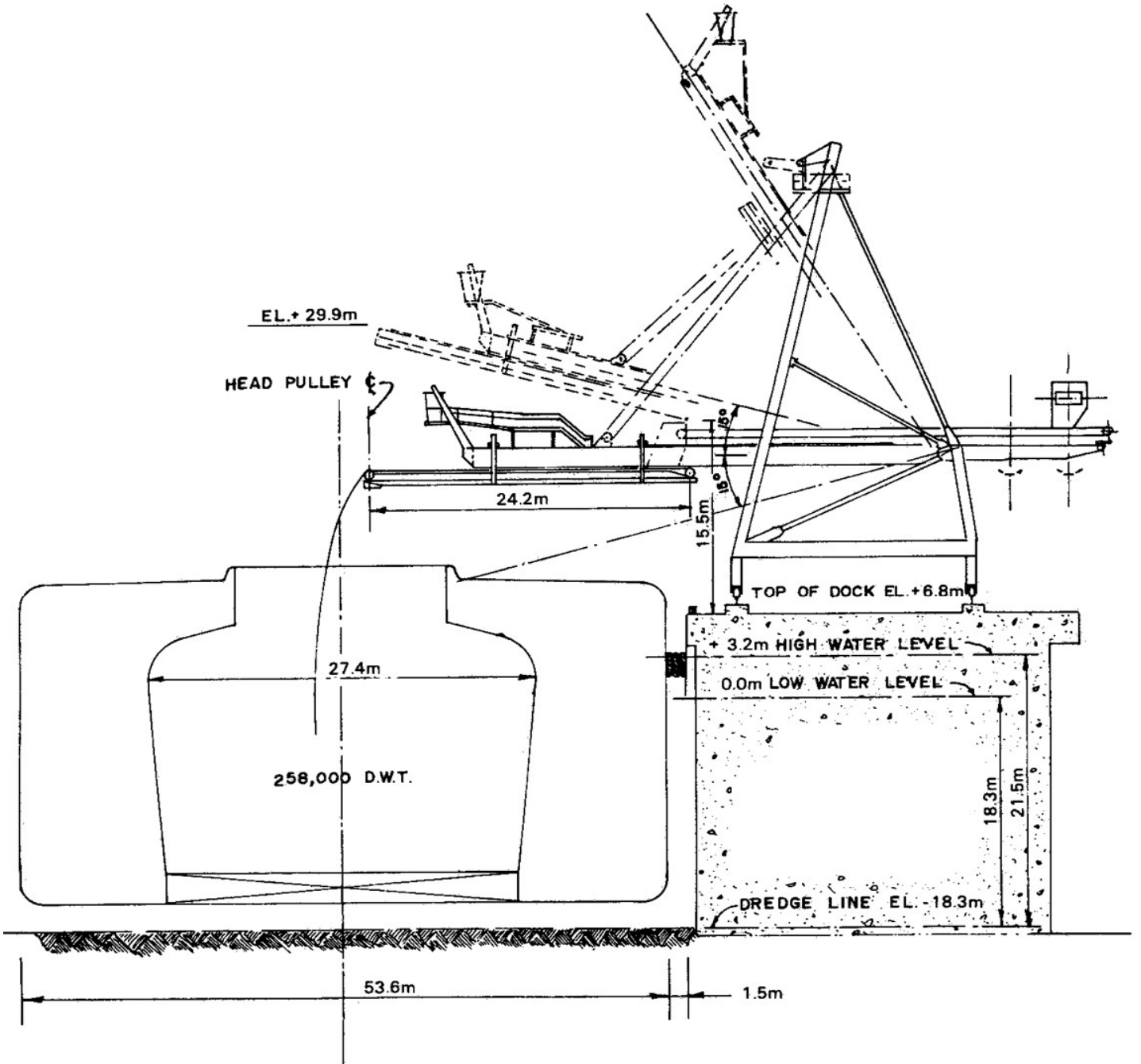
From Sept-Iles Harbour Marine Chart (1220)



LAYOUT OF IOC DOCK No. 1 (4&5)

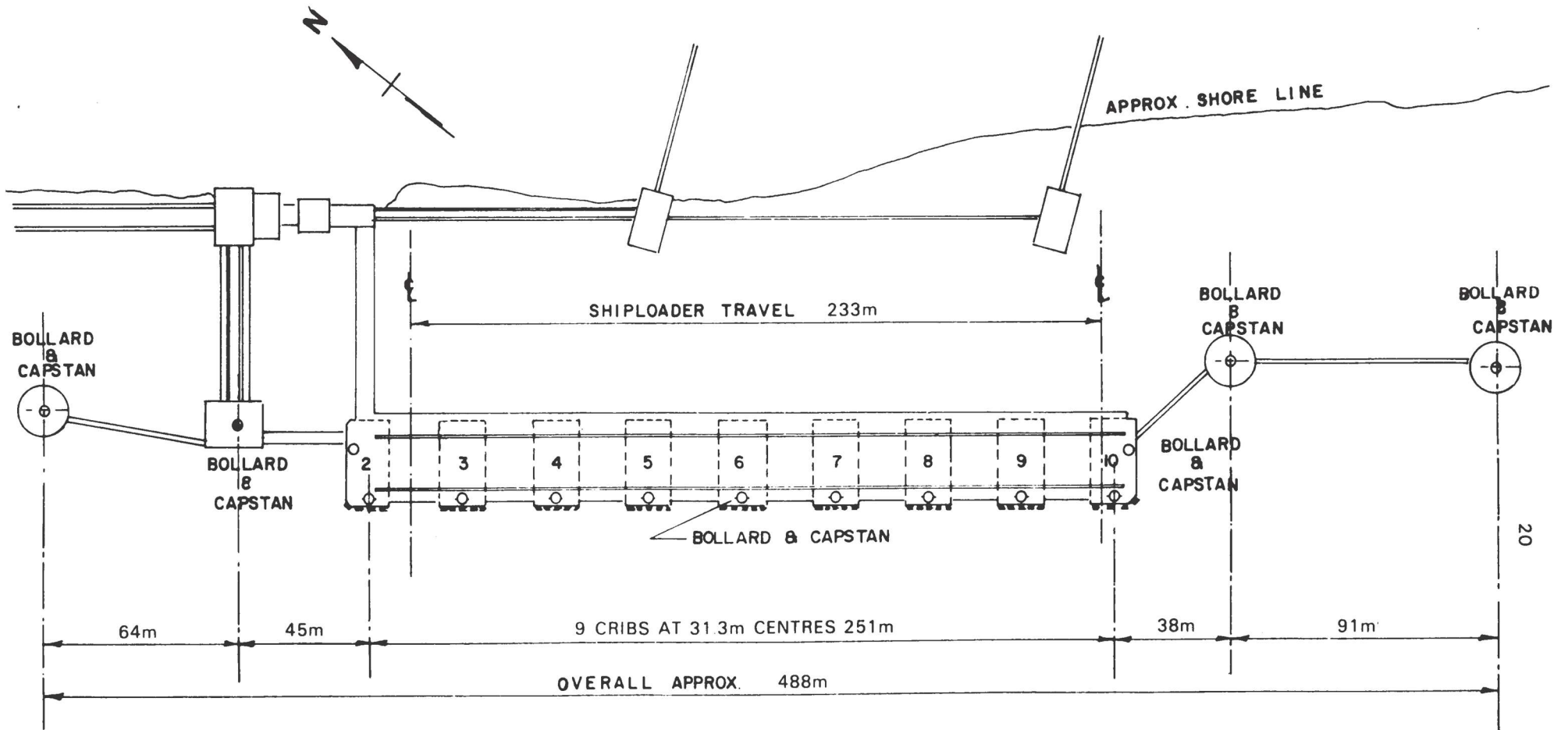


LAYOUT OF DOCK No. 2 LOADERS



NUMBER 2 DOCK

LAYOUT OF DOCK No. 2



EASTERN CANADIAN TUG OWNER'S ASSOCIATION

STANDARD TOWING CONDITIONS

1. Tug Company will not be responsible for any delay in supplying tug service arising from any cause whatsoever or for any loss, damages or injuries which may be sustained in consequence thereof by the owners, charterers or operators or any vessel or craft or by any other persons interested therein.
2. Tug services will be supplied upon the condition that all towing, moving, shifting, docking, undocking or other handling of a vessel or craft of any character by a tug or tugs owned or employed by the Tug Company is done at the sole risk of such vessel or craft and of the owners, charterers or operators thereof, and that the Master and crew of such tug or tugs used in the said services and the tug themselves together with the Tug Company become the servants of and identified with such vessel or craft and their owners, and that the Tug Company undertakes only to provide motive power.
3. Neither the tug or tugs, nor the Tug Company will be responsible for the acts, negligence, gross or otherwise, of the Master or crew of such tug or tugs, or any of their servants or agents or else whosoever, nor for any damages, personal injuries or loss of life, losses, delays, cost expenses and infringement of rights from whatsoever cause arising, including unseaworthiness of the tug or tugs used in the said services, provided due diligence has been exercised by the Tug Company to make the tug or tugs seaworthy, as well as any latent defect in the hull, machinery or equipment of the said tug or tugs, that may occur either to such vessel or craft, or property or persons on board thereof, or to any other ship or vessel or to any person or property on board thereof, or to other property of any kind whether fixed or moveable or to any other person not on board the vessel or craft to which the tug service is supplied, and the Tug Company as well as the Master of the tug or tugs engaged in such services and their crew shall be held harmless and indemnified by the Hirer against all such damages, personal injuries or loss of life, losses, delays, costs, expenses and infringement of rights, and against all claims in respect thereof.
4. Such exemption from liability shall apply regardless of whether such vessel or craft assists in the services with its own steam or power or in any other way, and irrespective of whether any employee of the tug Company or the Master or any of the crew of such tug or tugs is at the time of said services on board of such vessel or craft, or in command thereof.
5. The foregoing conditions shall apply to any damages, personal injuries or loss of life, losses, costs expenses and infringement of rights from whatsoever cause arising, including unseaworthiness or any latent defect in the hull, machinery or equipment of the said tug or tugs, that may occur to the vessel or craft requiring the tug or tugs or to any other vessel or craft, or to any person not on board the vessel or craft to which the tug service is supplied, which such tug or tugs is or are in attendance upon or fast to or engaged in any manoeuvre for the purpose of making fast to or disengaging from or proceeding clear from the vessel or craft requiring the tug or tugs, provided however that the said conditions shall not apply to loss of or damage to the tug or tugs, or to property on board the tug or tugs or to damages for personal injuries or the loss of life of members of the crews of the tug or tugs or persons on board thereof, unless such loss or damage or such damages for personal injuries or loss of life shall have been caused or contributed to by the fault or negligence of the vessel or craft requiring the tug or tugs.
6. Any service of whatsoever nature to be performed by the tug or the Tug Company providing the service other than towing shall be deemed to cover the period commencing when the tug is placed physically at the disposal of whosoever has applied for the service on behalf of the vessel to whom the service will be rendered and shall continue until the employment for which the tug has been engaged is ended. If the service is to be ended at or off a vessel the period of service shall end when the tug is safely clear of the vessel or, if it is to be ended elsewhere, then when any persons, baggage, goods, mails, species, ship or engine parts or gear or articles of whatsoever description, have been landed or discharged from the tug and/or the service for which the tug has been required is ended.
7. Wherever the service of the tug or tugs is to be performed, these conditions will be construed and enforced in accordance with the applicable laws of Canada where the principal office of the Tug Company supplying the service is located.

NEW LINE HANDLING SIGNALIZATION

NEW LINE HANDLING SIGNALIZATION

ON THE MOORING DOLPHIN FORE & AFT

In order to minimize risks & communication problems associated with line handling



(HOLD) Do not slack or pull lines

Ne pas donner du mous ou tirer les amarres



(EASE OFF) Give slack as required

Donner du mous aux amarres



(HAUL IN) Slowly pull in the line

Tirer les amarres tranquillement